

Explosion Proof Type LED Lighting Fittings for Inside Inspection

LZTA



Hazardous Area
Zone 1 & 2

Degree of Protection
IP 65

Type of Protection
ExdeICT5

Luminaire Life
40,000 hours



TIS 1955-2551

- High transparency is achieved with a unique optical design. Allows easier viewing of in-tank conditions than conventional incandescent lamps.
- Without ultraviolet and infrared rays, free from the chemical reaction of in-tank solvents and other harmful effects on stored materials.
- Filament-less structure provides strong vibration resistance, eliminating bothers of exchanging lamps.

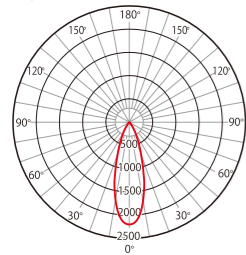
Line-up

Equivalent to a 100 W incandescent lamp	LZTA19181
-----------------------------------------	-----------

Mounting brackets (Option)



Light Distribution (Unit: cd/1,000 ℓm)



Luminance Table

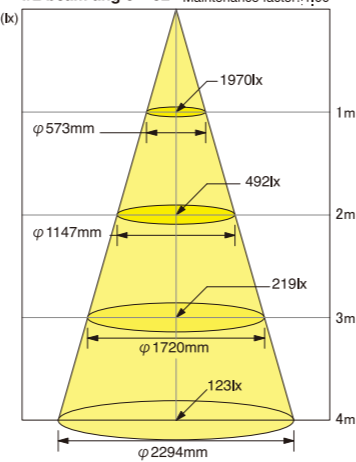
Vertical Angle	Luminance	Vertical Angle	Luminance
0	2188.6	100	0
10	1665.9	110	0
20	712.2	120	0
30	322.3	130	0
40	113.9	140	0
50	67.4	150	0
60	36.2	160	0
70	13.6	170	0
80	2.1	180	0
90	0		

Direct horizontal illuminance

Light source : 19.4 W White LED
Luminaire flux : 900 Lm
Luminaire Efficiency : 100 %

Direct intensity = 1.970 cd

1/2 beam angle = 32° Maintenance factor: 1.00

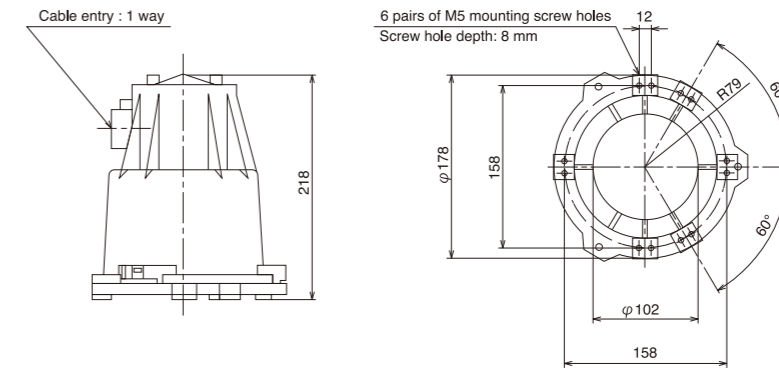


Specifications

Rated voltage/frequency	AC100~200V, 200~240V(for special order) 50/60Hz
Power consumption	22.0 W (at 100V / 200V)
Luminaire flux	900 ℓm
Intrinsic energy consumption efficiency	40.9 ℓm/W
Lamps	White LED
Correlated color temperature	5,000 K (Day white)
Luminaire life	40,000 hours
General color rendering index	Ra 65
Type of Protection	ExdeICT5
Degree of protection	IP65
Body material	Aluminum alloy casting
Paint specifications	Melamine resin baking finish, mild gray
Cable Entry	G3/4", G1/2, NPT3/4, NPT1/2, M25 or M20 ※Standard
Weight	Approx. 4.0 kg

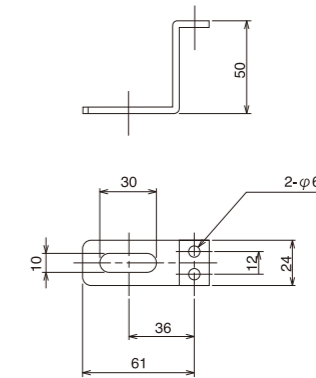
Dimensions

LZTA19181



- For installation, fix firmly using the M5 screw holes.
- For installation using previously mounted screws, the recommended mounting bracket plate thickness is 12.0~5.0 mm. If brackets outside this range are used, other suitable screws will be needed.

Mounting brackets (Option)



- Can be installed using the mounting brackets for a 100 W incandescent lamp (previous Seiwa model: IZTB10081), and flexible cable.
- The six pairs of mounting screw holes may be freely used for installation, with no limitation on the installation method.